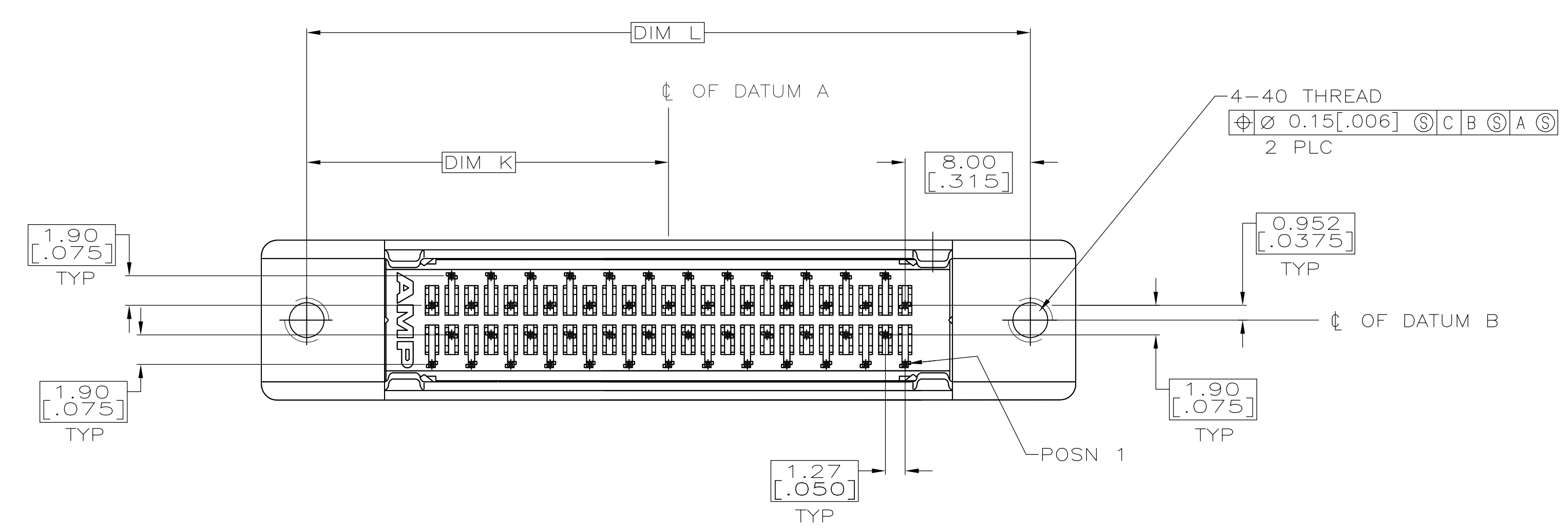


- 1 POSITION TOLERANCE APPLIES AT CONTACT TIP.
- 2 POSITION NUMBERS SHOWN FOR REFERENCE ONLY.
- 3 MATERIAL:
HOUSING - POLYPHTHALAMIDE, BLACK, UL 94-V0 RATED.
SHELL - CARBON STEEL PER ASTM A109.
CONTACTS - PHOSPHOR BRONZE PER QQ-B-750.
BRACKET - ZINC.
- 4 FINISH:
SHELL - 5.08µm [0.000200] MIN NICKEL OVER 1.27µm [0.000050] MIN COPPER.
BRACKET - 3.81µm [0.000150] MIN NICKEL OVER 5.08µm [0.000200] MIN COPPER.
CONTACTS - EITHER 0.76µm [0.000030] MIN GOLD PLATE OR GOLD FLASH OVER PALLADIUM NICKEL, 0.76µm [0.000030] MIN TOTAL, FOR A LENGTH OF 0.64 [0.025] MIN, 0.13 [0.005] MAX FROM MATING END, 1.27µm [0.000050] MIN TIN ON OPPOSITE END FOR A LENGTH OF 4.78 [0.188] MIN, ALL OVER 1.27µm [0.000050] MIN NICKEL UNDERPLATE.
- 5 PC BOARD HOLE RECOMMENDATIONS:
A. HOLES SHOULD BE DRILLED WITH A 0.701 [0.0276] DRILL.
B. PC BOARD PLATING TO BE 7.62µm [0.000300] MIN TIN OVER 0.025-0.038 [0.0010-0.0015] COPPER.
C. RECOMMENDED HOLE SIZE AFTER TIN PLATING IS 0.56-0.66 [0.022-0.026].
- 6 OBSOLETE PARTS: OBSOLETE CIS STREAMLINING PER D.RENAUD/D.SINISI



6	OBSOLETE	PER DETAIL X	96.90 [3.815]	74.93 [2.950]	79.15 [3.116]	90.93 [3.580]	45.47 [1.790]	120	1-5786555-0
		PER DETAIL X	84.20 [3.315]	62.23 [2.450]	66.45 [2.616]	78.23 [3.080]	39.12 [1.540]	100	5786555-9
		PER DETAIL X	63.88 [2.515]	41.91 [1.650]	46.13 [1.816]	57.91 [2.280]	28.96 [1.140]	68	5786555-7
		PER DETAIL Y	52.45 [2.065]	30.48 [1.200]	34.70 [1.366]	46.48 [1.830]	23.24 [0.915]	50	5786555-5
6	OBSOLETE	PER DETAIL X	33.40 [1.315]	11.43 [0.450]	15.65 [0.616]	27.43 [1.080]	13.72 [0.540]	20	5786555-1
		RECOMMENDED PCB MTG DIMENSIONS	R	P	N	L	K	NO OF POSN	PART NO

THIS DRAWING IS A CONTROLLED DOCUMENT.

DIMENSIONS: mm [INCHES]	TOLERANCES UNLESS OTHERWISE SPECIFIED:	DIN B. MCMASITER 25MAY04	APVD S. SHUEY 25MAY04	NAME M. WALMSLEY 25MAY04
0 PLC ± -	1 PLC ± -	2 PLC ± 0.13 [0.005]	3 PLC ± -	4 PLC ± -
MATERIAL	FINISH	SIZE 114-40029	WEIGHT	SCALE 4:1
CUSTOMER DRAWING		SIZE A1	CAGE CODE 00779	RESTRICTED TO

STE TE Connectivity

RECEPTACLE ASSEMBLY, SHIELDED, VERTICAL, FLAT TOP, ACTION PIN FOR .062 TO .093 THICK BD.

108-1228

114-40029

00779

5786555

SHEET 1 OF 1 REV A2